

MARTIN™ Models 48, 49, 8, and 81

SPECIFICATIONS:

Model 8, 48

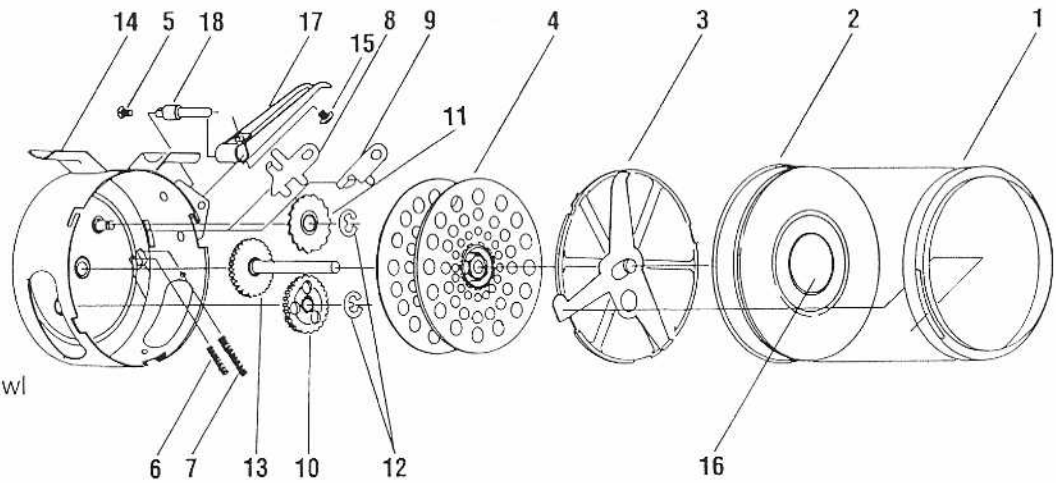
30 yds. WF6F Capacity
2⁷/₈" diameter, 5⁵/₈" spool
depth

Weight (8) 8.75 oz.
(48) 9.00 oz.

Model 81, 49

30 yds. WF8F Capacity
2⁷/₈" diameter, 7⁷/₈" spool
depth

Weight (81) 9.00 oz.
(49) 9.25 oz.



FEATURES:

Responsive ratchet and pawl
brake system

Fast, no-tool take down

Adjustable retrieve trigger

Built-in click (8/81)

One-year limited warranty

Model 8, 81

Trout & Panfish sizes

Full free stripping

Model 48, 49

Bass & Heavy Trout sizes

Full free stripping and
silent winding

Unique push-button
tension release

ReelSchematic

Key No.	Model 48 Part No.	Model 49 Part No.	Model 8 Part No.	Model 81 Part No.	Description	Price
1	214SA	214SA	213SA	213SA	Rim Assembly	3.18
2	128-48-SA	128-49-SA	128SA	128-81-SA	Drum Assembly	6.90
3	217-40-SA	217-40-SA	N/A	N/A	Inside Case Assembly	3.72
3	N/A	N/A	30FH-S2	30FH-S2	Inside Case Assembly	2.06
4	135-48-SA	N/A	135-48-SA	N/A	Spool Assembly	7.73
4	N/A	135-81-SA	N/A	135-81-SA	Spool Assembly	7.96
6	MM061-02A	MM061-02A	MM061-02A	MM061-02A	Ratchet Pawl Spring (Small)	.15
7	MM061-01A	MM061-01A	MM061-01A	MM061-01A	Release Spring	.15
8	MM033-01A	MM033-01A	MM033-01A	MM033-01A	Ratchet Pawl	.95
9	MM164-01A	MM164-01A	MM164-01A	MM164-01A	Release Pawl	1.30
10	125PP	125PP	125PP	125PP	Secondary Gear Assembly	3.18
11	120SA	120SA	120SA	120SA	Ratchet Gear Assembly	2.12
12	RR190-05A	RR190-05A	RR190-05A	RR190-05A	Gear Retainer	.20
13	124PP	N/A	124PP	N/A	Spindle Gear Assembly	1.65
13	N/A	124-81-PP	N/A	124-81-PP	Spindle Gear Assembly	3.29
14	602-48-PP	602-49-PP	N/A	602-81-PP	Back Case Assembly	10.80
14	N/A	N/A	602PP	N/A	Back Case Assembly	11.25
15	MM197-01A	MM197-01A	MM197-01A	MM197-01A	Handle Screw	.90
16	728G	728G	728S	728G	Medallion	.79
17	MM090-01A	MM090-01A	MM090-01A	MM090-01A	Brake Lever	3.05
18	MM043-01A	MM043-02A	MM043-01A	MM043-02A	Brake Lever Shaft	2.55
	KM197-01A	KM197-01A	KM197-01A	KM197-01A	Adjustable Brake Lever	.79

MODEL INTRODUCED	EFFECTIVE DATE OF PARTS LIST/DIAGRAM	Oct. 1996	DISCONTINUED	N/A
------------------	--------------------------------------	-----------	--------------	-----

Prices subject to change without notice. Prices do not include postage and handling.

PLEASE ORDER BY PART NUMBER Zebco Division Brunswick Corporation, Box 270, Tulsa, OK 74101 USA 918-831-6965

